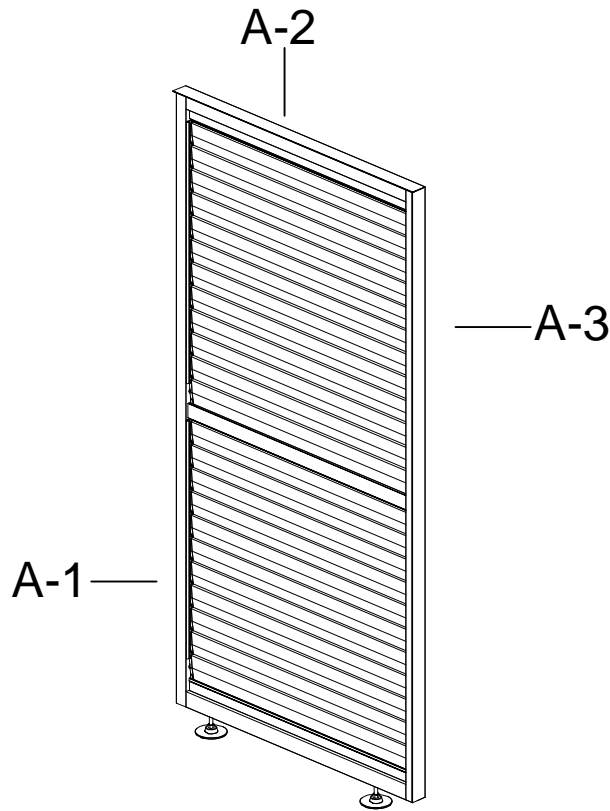


# Installation Notes

Before you start to install products, please read below notes

1. This is a general version manual. Make sure that you review the design when placing an order and read this manual several times before you start to install.
2. Check the package list and confirm all items on the list. Do not throw away any packages until the pergola is installed successfully.
3. Minimum 2 people are required during the installation.
4. Strongly recommend to fix the shutter on the concrete to provide a better stability.
5. It needs 2 people to lift the product parts from the package, please put the products very gently, it is better to cover a carpet or hardpaper box on the floor to protect it from scratching.
6. Cargo on the ground should not be dragged to avoid damage caused by collision between profiles and other obstacles.
7. You should remove the film coated on the products entirely during the installation, because it is difficult to remove them after explosion under hot temperature.
8. Do not change, or use other component to install the products, otherwise it is not covered by warranty.
9. We hold no responsibility for any damage caused due to human factor, especially incorrect assembly.
10. The shutter rod should be at the indoor side.



## 1. Profile

No	Name	Sectional View	Picture
A-1	Cover		
A-2	Cover		
A-3	Cover		

⑤	M6*60 SUS Expansion Screw	
⑥	8x40 Yellow hose	
⑦	304 SUS screw	
⑧	4.2*50 SUS screw	
⑨	10MM black rubber pad	
⑩	4.2*16 SUS drilling screw	
⑪	4.2*16 SUS drilling screw	
⑫	M4 flat pad	
⑬	M6 rubber stopper (white/green)	

## 2. Accessory

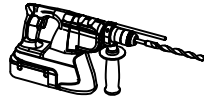
No	Name	Picture
①	Adjustable base	
②	304-M8 Nut	
③	M8*60 Screw	
④	Round metal cap	

Note: Silicone sealants are not offered, you should purchase it in local

### 3. What you need



Hand drill  
drill bar  
φ5 drill x1



Electrical drill  
φ8mm drill bar x1  
φ6mm drill bar x1



hammer



marker



tape



electric spirit level



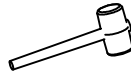
16mm wrench



ladder



helmet



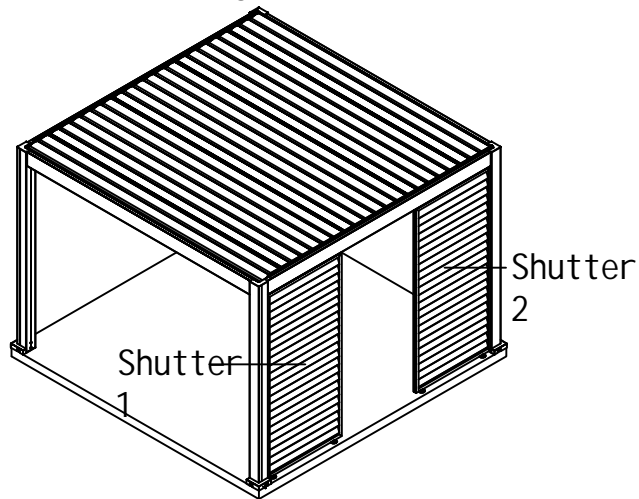
rubber hammer

**Tips: Please prepare the preceding installation tools by yourself.**

### 4. Installation

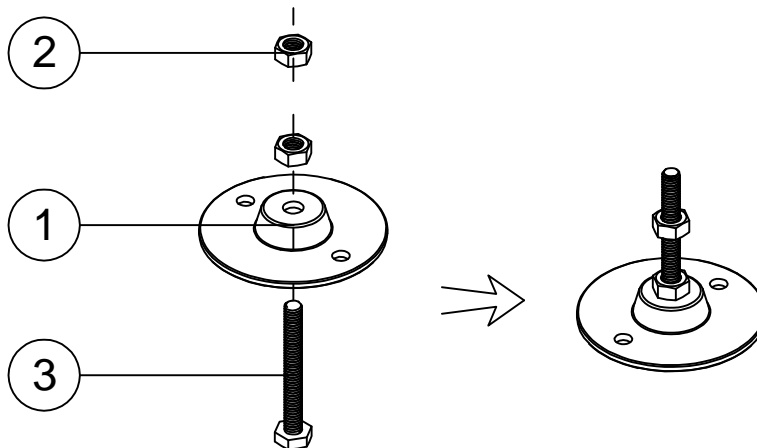
Note: there are many installation situations, please follow with below scene

Installation scene 1: Left & Right

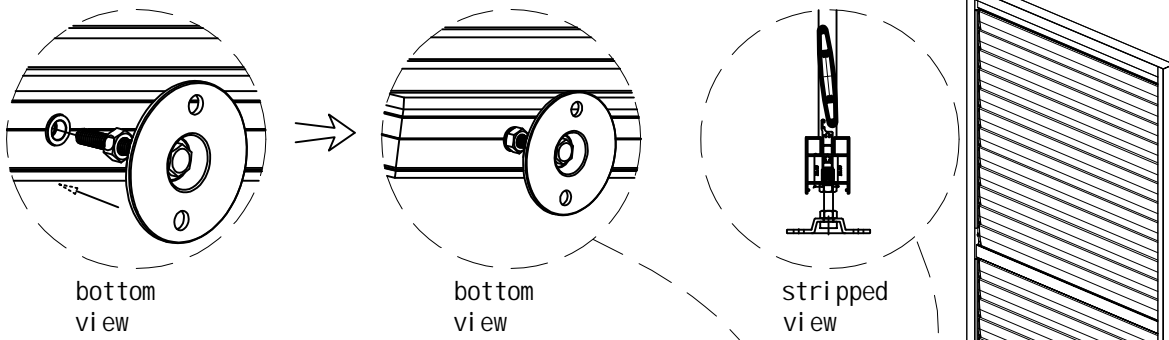


Step 1: install the base

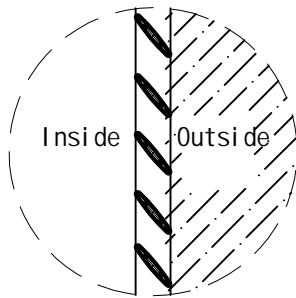
1.1. Use the screw through the bottom and fixed with nut, place another nut to adjust the shutter height.



1.2. install the base at the shutter bottom



1.3. Shutter leaf facing down is the outside, prevent the water get in.

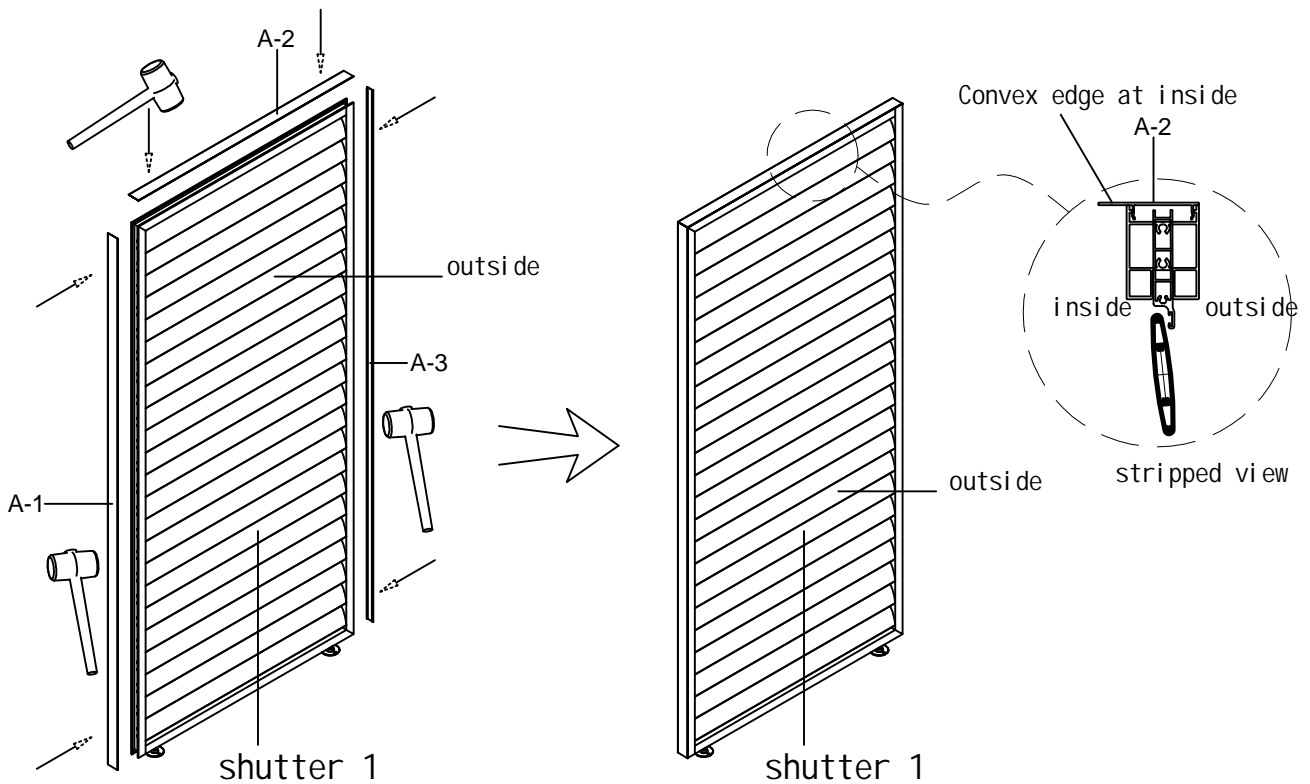


## Step 2: Install shutter

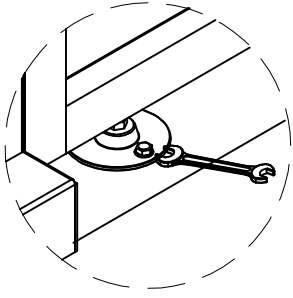
2.1. Install the shutter frame cover

2.1.1. Convex edge could be install at the inside or outside, below sample is at the inside

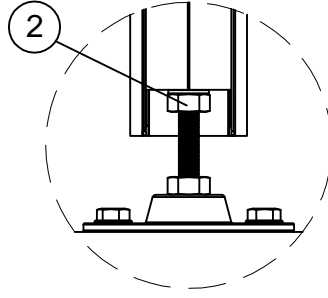
2.1.2. Use rubber hammer knock the cover into the specify frame position



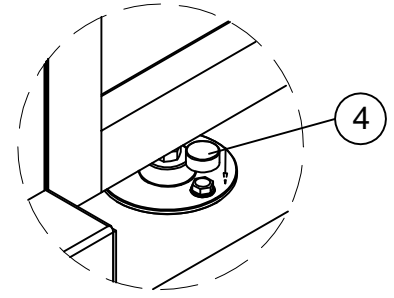




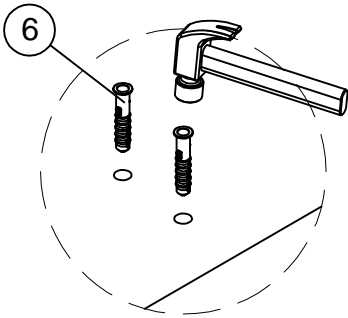
2.2.5. Use the wrench to lock the screw



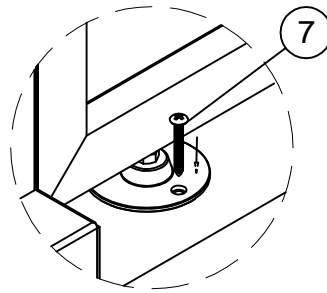
2.2.6. Twist the nut to adjust the shutter height



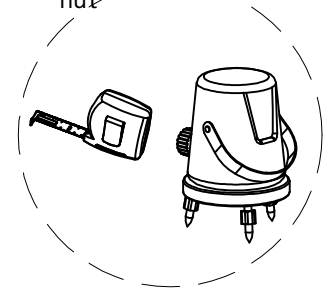
2.2.7. Apply silicone at the metal cap inside and place on the nut



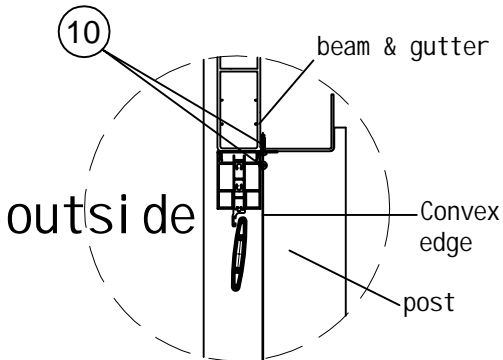
2.2.8. The base could also fix with the yellow hose



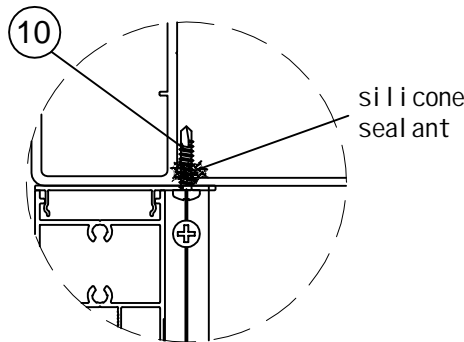
2.2.9. Put back the shutter and fix with screw



2.2.10. Ensure the shutter is at a right position and verticality



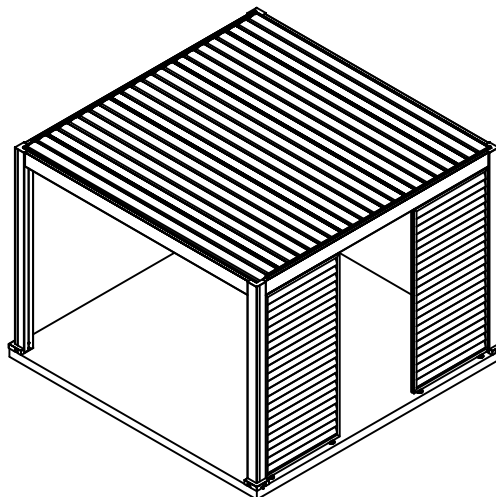
2.2.11. Fix the shutter at the inside cover with the screw and 400mm spacing of screws



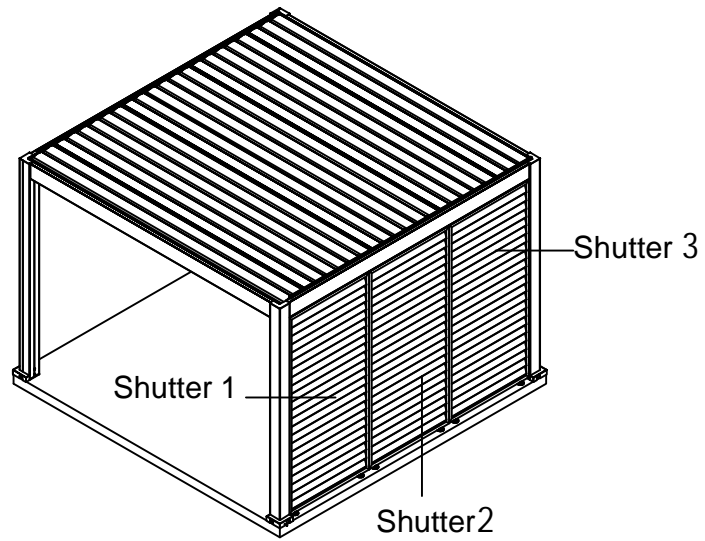
2.2.12. Apply the silicone sealant at the screw position to prevent water leakage

2.3. Use the same method to fix shutter 2

Installation scene 1 complete



Installation Scene 2, Full side install

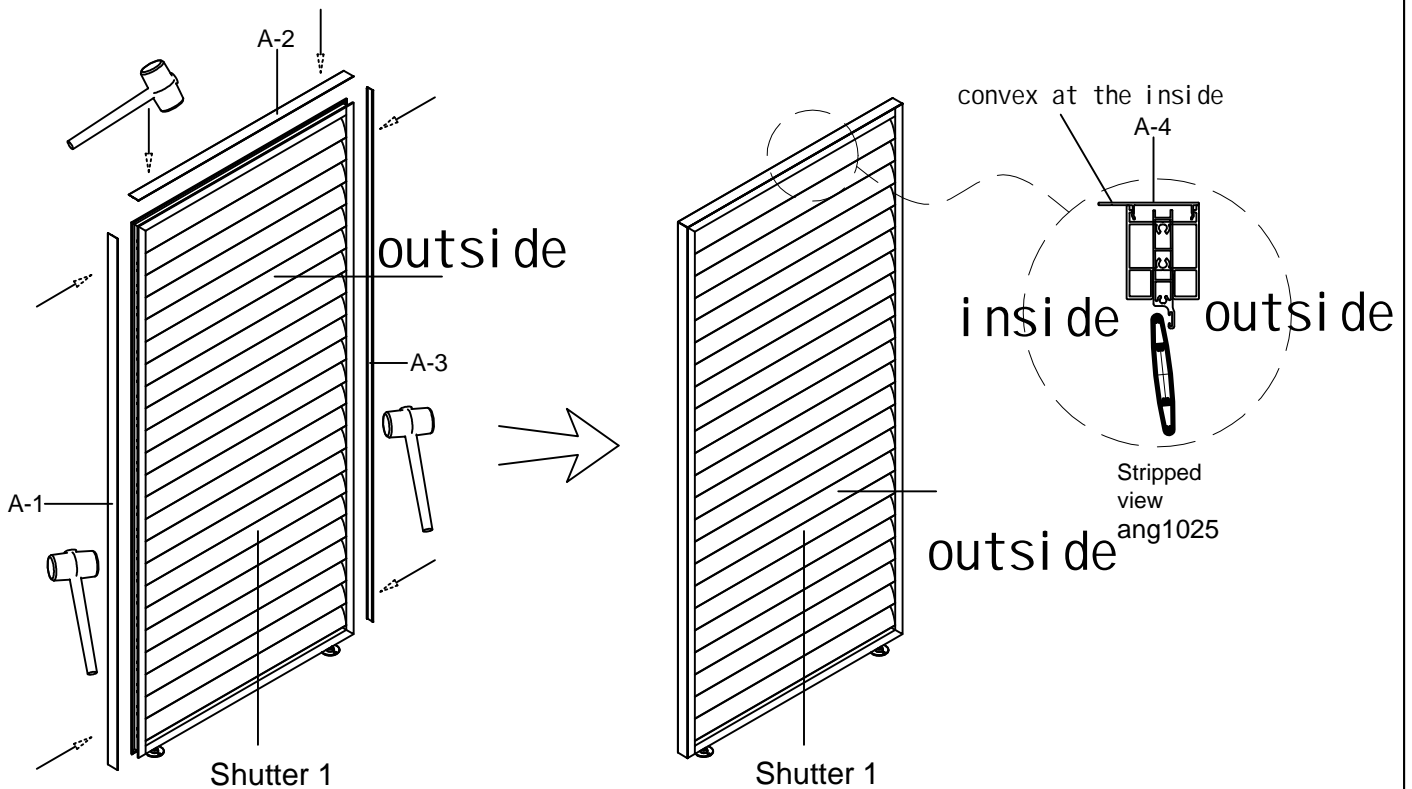


Step 1: Base Installation (refer to scene 1, step 1)

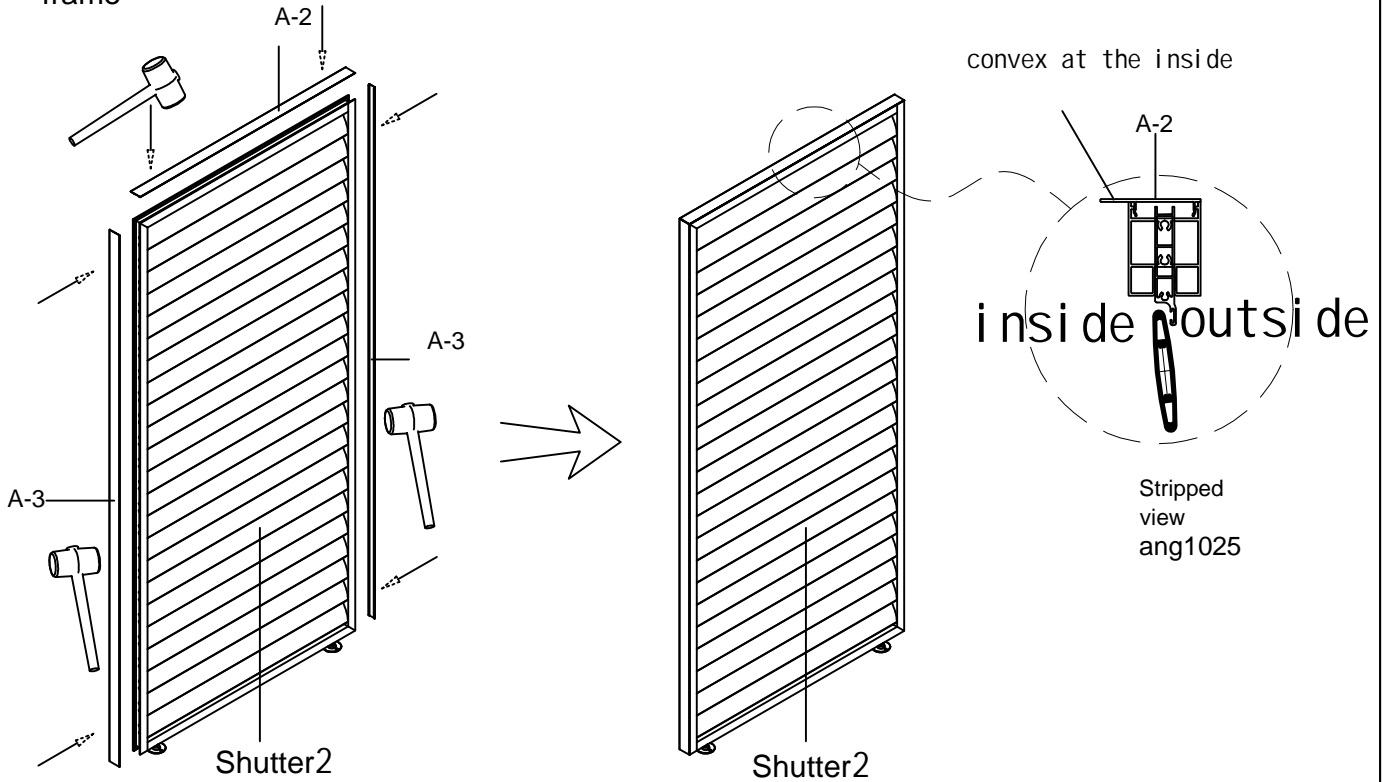
Step 2: Shutter Installation

2.1 Install the shutter 1 cover, use the rubber hammer to knock the cover into the frame

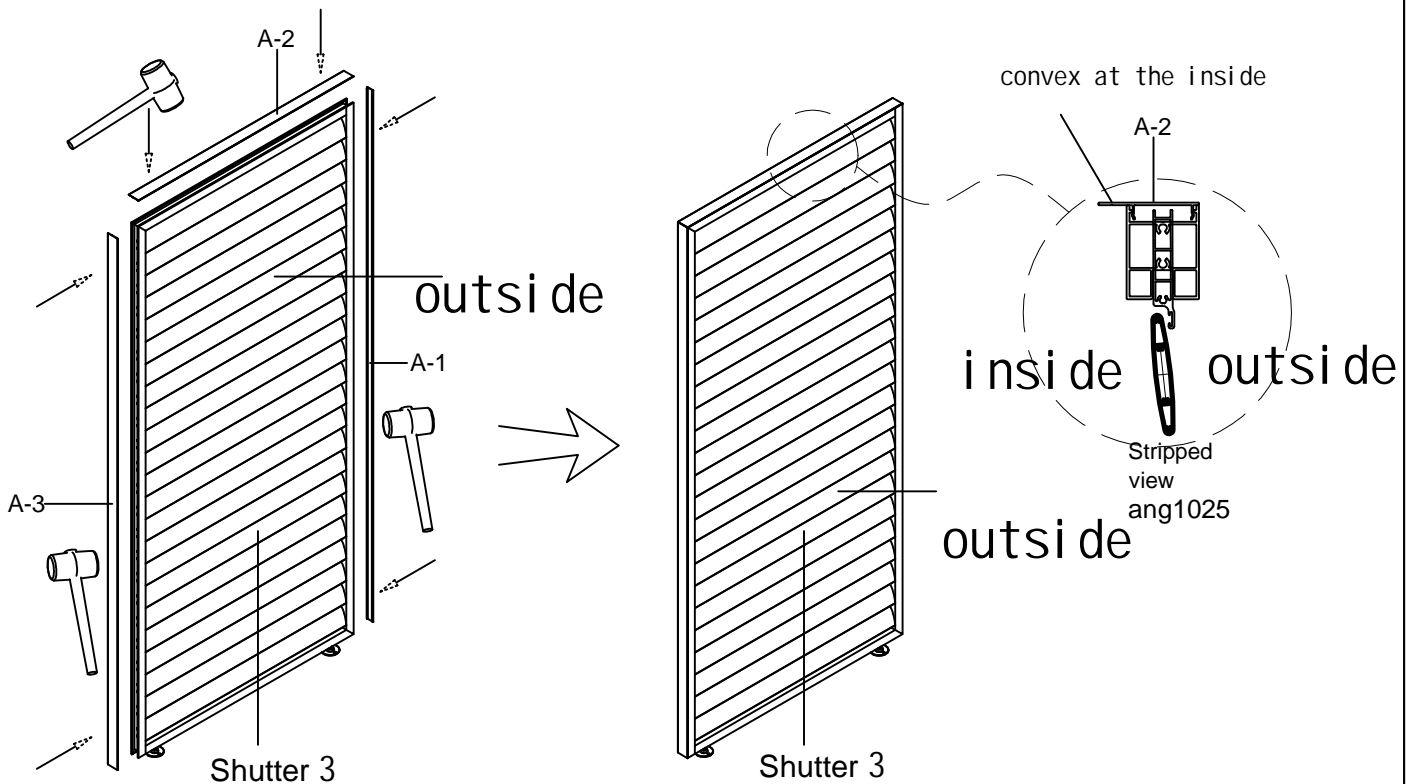
Step 2: Shutter Installation



2.2 Install the shutter 2 cover, use the rubber hammer to knock the cover into the frame

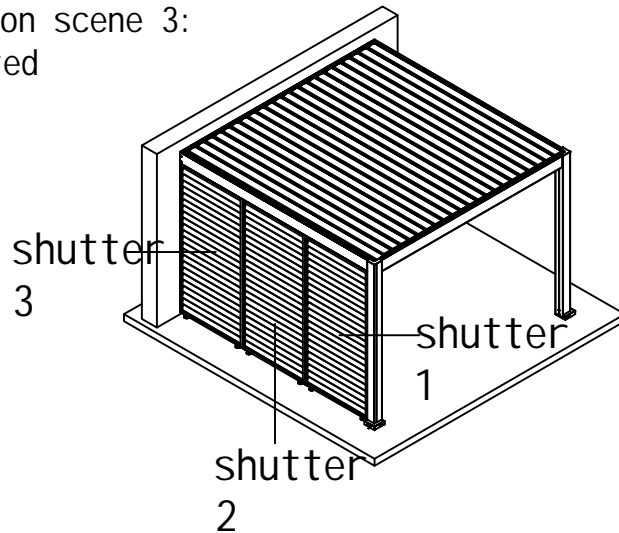


2.3 Install the shutter 3 cover, use the rubber hammer to knock the cover into the frame



<10/11>

Installation scene 3:  
wall mounted



Step 1: base installation (refer to scene 1 step 1)

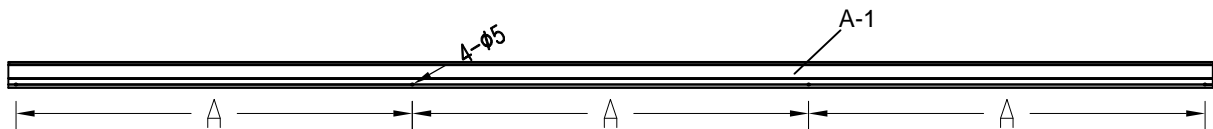
Step 2: shutter installation

2.1. install shutter 1 cover (refer to scene 1 step 2, 2.1/2.1.3)

2.2. install shutter 2 cover (refer to scene 2 step 2, 2.2)

2.3. install shutter 3 cover

2.3.1. drill  $\phi 5$  holes x4 at the wall mounted side cover



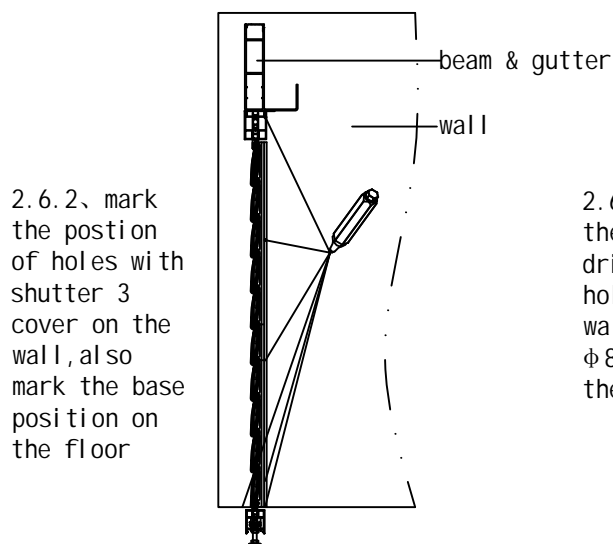
2.3.2. install the shutter 3 remaining covers (refer to scene 1 step 2, 2.1/2.1.2)

2.4. fix shutter 1 (refer to scene 1 step 2, 2.2)

2.5. fix shutter 2 (refer to scene 2 step 2, 2.4)

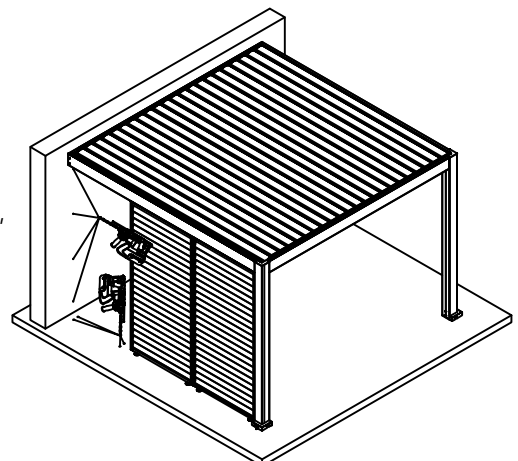
2.6. fix shutter 3

2.6.1. fix shutter 3 base (refer to scene 1 step 2, 2.2/2.2.1)

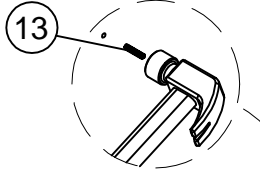


2.6.2. mark the position of holes with shutter 3 cover on the wall, also mark the base position on the floor

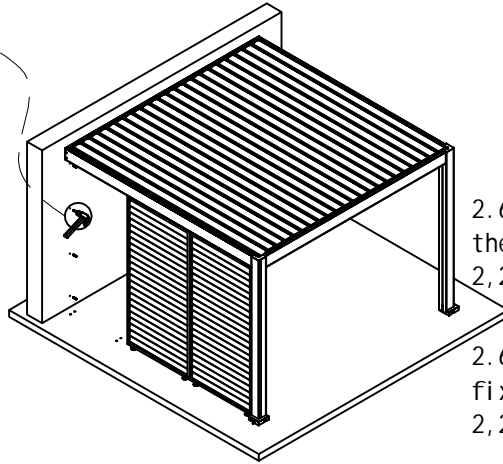
2.6.3. remove the shutter 3, drill  $\phi 6$  holes on the wall, drill  $\phi 8$  holes on the floor.



<11/11>



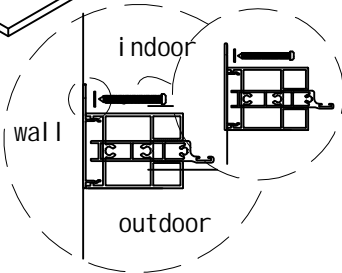
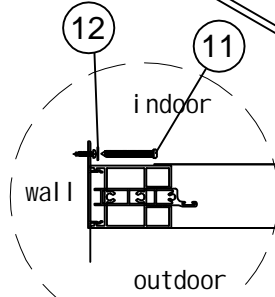
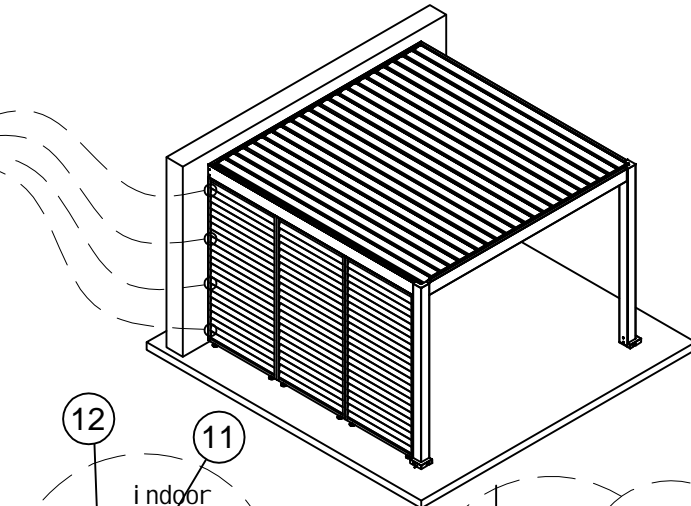
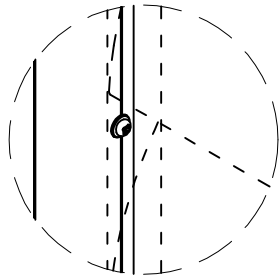
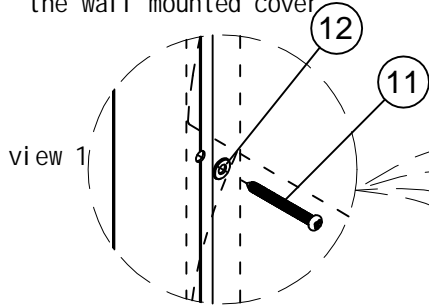
2.6.4、place the green rubber stopper into the wall, yellow hose into floor



2.6.5、if use the expansion screw to fix the shutter (refer to scene 1 step 2,2.2/2.2.4-2.2.7)

2.6.6、if use screw and yellow hose to fix the shutter (refer to scene 1 step 2,2.2/2.2.8-2.2.9)

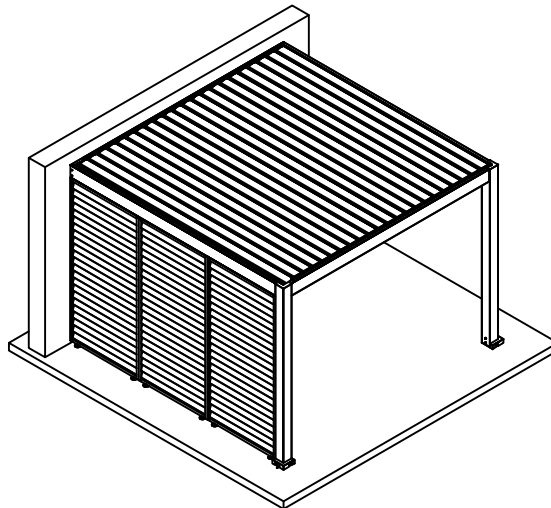
2.6.7、After fix the base, use the screw to fix the wall mounted cover



视角2

2.6.7、fix shutter 3 top cover with beam (refer to scene 1 step 2, 2.2/2.2.10-2.2.11)

Installation  
scene 3  
complete



## Letter of thanks

Dear customer

I would like to take the opportunity to thank you for your patronage and purchasing our products .I assure you have purchased the perfect shutters for you.Our team hopes you love our shutter doors and share happy time with your family members and friends .

We are a customer-centric company . You are always welcomed to give us feedback ,suggestion and request .Your feedback and comments are very important for us because they help us improve our service.We will be delighted to know what you think about our products. Please feel free to leave reviews on our website or call us directly .

Thanks again and we are pleasure to serve you , if there is anything is not clear to you ,please contact us .

Gratefully