

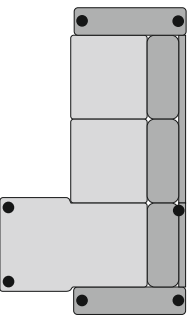
Screw the legs on the bottom of the sofa, as shown in the schema.



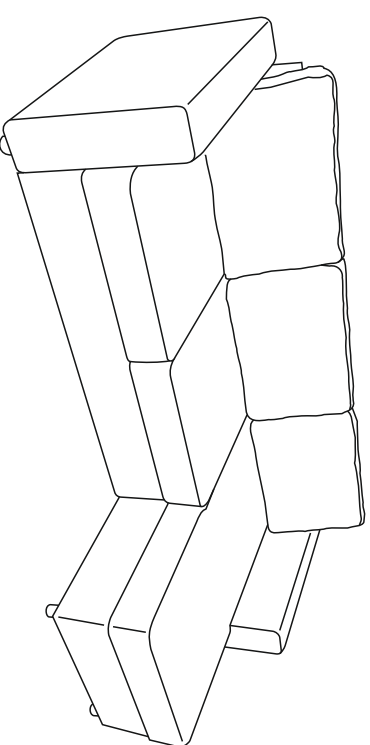
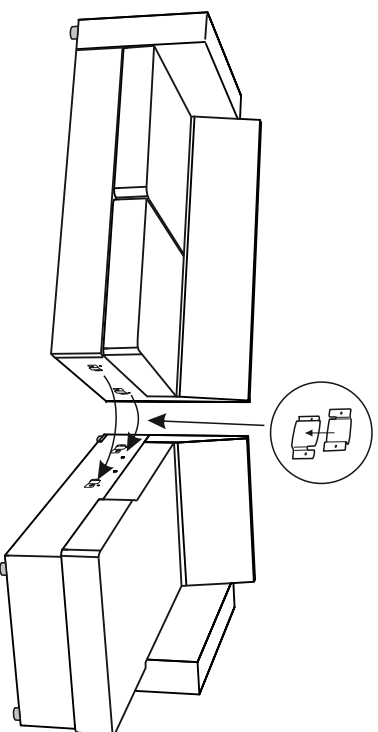
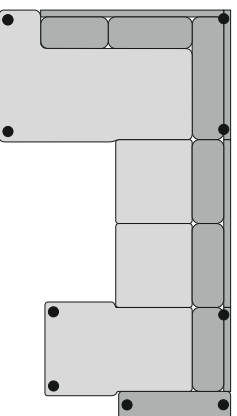
Plastic leg

2		A
		B

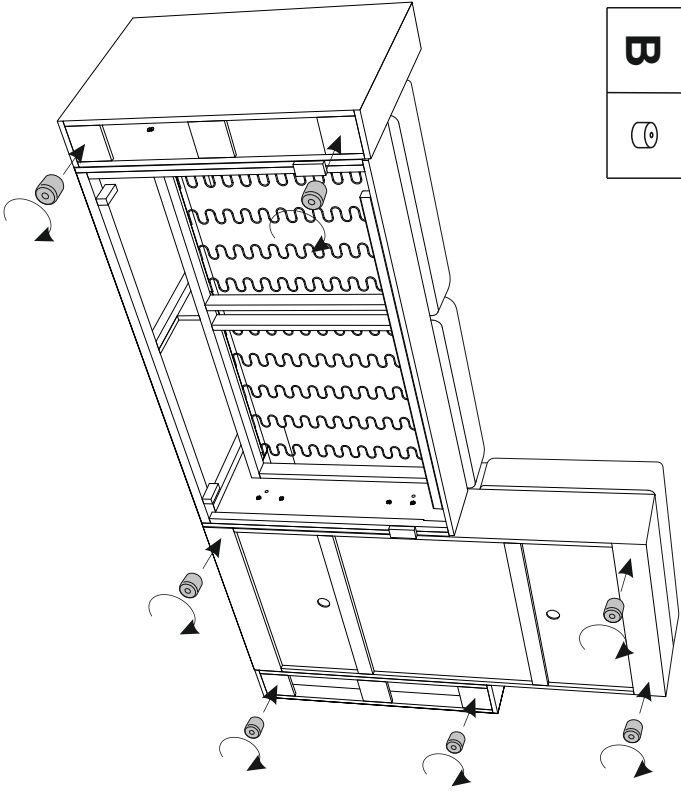
□ 3D/D3


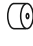


□ A3D/D3A





Do not throw away the packing materials until assembly is complete;
From scratching or other damages: assemble this item on a soft surface, such as cardboard or carpet, to protect finish;
Hardware may loosen overtime. Periodically check that all connections are tight;
Protect sofa from an environmental factors such as : heat, direct sunlight and humidity;
Do not use sofa outdoors;
Do not fix the sofa yourself, sofa could be fixed only in our factory; our after-sales service workshop or by licensed and qualified professionals, by using only original replacement parts; otherwise, the warranty could be considered as void.



A		1
B		

Screw the legs.

A	
B	

For legs

